

SK300_{LC} SK300_{NLC}

Power Meets Efficiency

To urban centers, and to mines around the world. Kobelco's all-out innovation brings you durable earth-friendly construction machinery that's equal to any task, at sites all over the planet. With their powerful working performance, outstanding fuel economy, durability to withstand long hours of continuous operation, and care for environment, SK series machines excel in all respects. Now two new models, SK300LC and SK300NLC, are joining the line-up.

Efficient Performance!

Top-Class Powerful Digging

Max. arm crowding force: **126 kN**
With Power Boost **139 kN**

Max. bucket digging force: **188 kN**
With Power Boost **208 kN**

Powerful Travel

Drawbar pulling force: **280 kN**

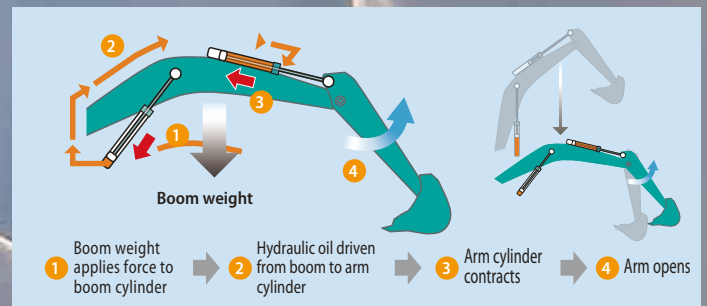
High Output Engine

Power Output: **200 kW/2,100 min⁻¹ (ISO 14396)**

Revolutionary Technology Saves Fuel

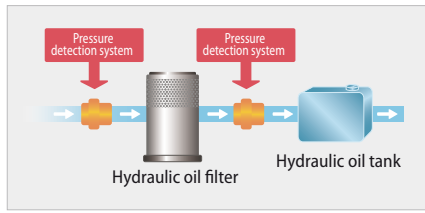
Arm Interflow System

When lowering the boom, this system uses the downward force generated by the boom's weight to push fluid to the arm. This greatly reduces the need to apply power from outside the system.



Excellent Durability!

Hydraulic Oil Filter Clogging Detector



Pressure sensors at the inlet and outlet of the hydraulic oil filter monitor pressure difference to assess the degree of clogging. If the pressure difference exceeds a set level, a warning appears on the multi-display, so the filter can be cleaned before contamination reaches the hydraulic oil tank.

Hydraulic Oil Filter



Recognized as the best in the industry, our super-fine filter separates out even the smallest particles. New cover prevents contamination when changing filters.

SPECIFICATIONS

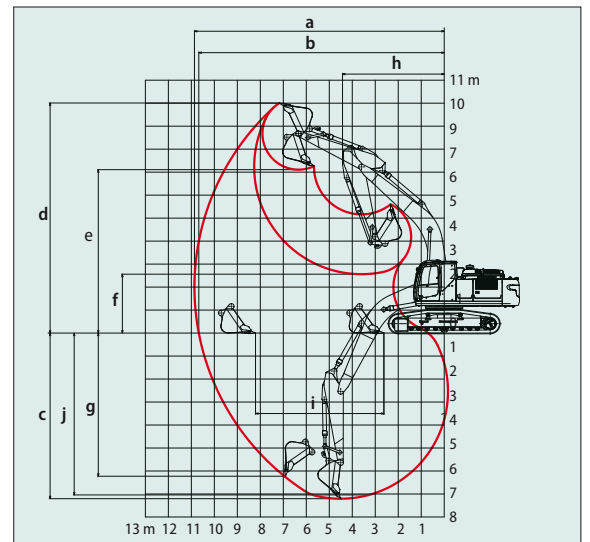
MODEL		SK300LC	SK300NLC
Type		SK300LC-10	SK300NLC-10
PERFORMANCE			
Bucket Capacity (ISO heaped)	m ³	1.2	
Swing Speed	min ⁻¹	10.3	
Travel Speed (high/low)	km/h	5.2/3.1	
Gradeability	% (degree)	70 (35)	
Bucket Digging Force	kN	188/208*	
Arm Crowding Force	kN	126/139*	
Drawbar Pulling Force	kN	280	
WEIGHT			
Operating Weight	kg	30,000	29,800
Ground Pressure	kPa	57	57
Shoe Width	mm	600	
ENGINE			
Model		J08EVV-KSDP	
Type		Direct injection, water-cooled, 4-cycle, 6-cylinder diesel engine with intercooler turbo-charger (Stage IV-compliant engine)	
Power Output	(ISO 9249) kW/min ⁻¹	188/2,100	
	(ISO 14396) kW/min ⁻¹	200/2,100	
Max. Torque	(ISO 9249) N.m/min ⁻¹	988/1,600	
	(ISO 14396) N.m/min ⁻¹	1,017/1,600	
Displacement	L	7.684	
Fuel Tank	L	503.0	
HYDRAULIC SYSTEM			
Pump		Two variable displacement pumps + One gear pump	
Max. Discharge Flow	L/min	245 x 2, 21 x 1	
Relief Valve Setting (main)/(Power Boost)	MPa	34.3/{37.8}	
Swing Motor		Axial piston motor	
Travel Motors		2 x axial-piston, two-step motors	
Hydraulic Oil Tank (system)	L	245 (410)	

*Power Boost engaged

WORKING RANGES

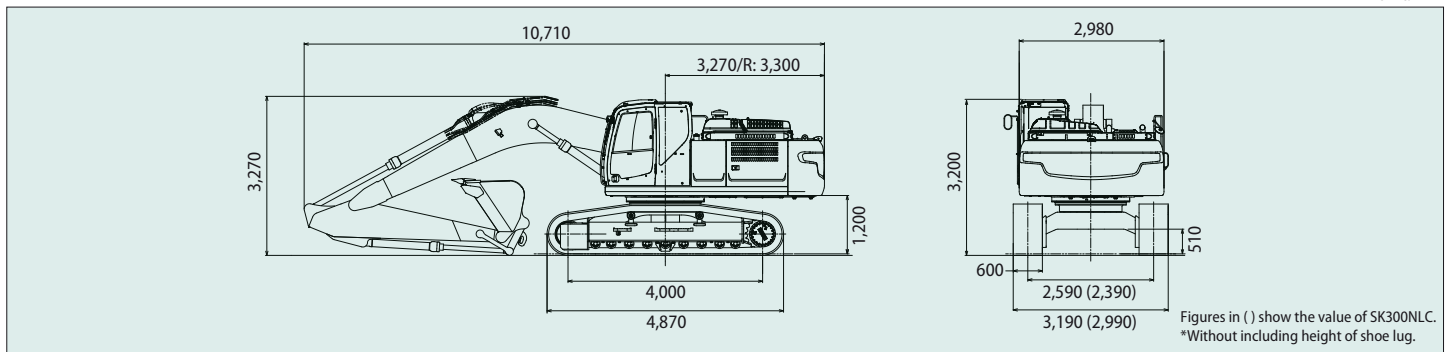
Unit: m

MODEL	SK300LC	SK300NLC
Arm length	3.1 m	
a- Max. digging reach	10.87	
b- Max. digging reach at ground level	10.68	
c- Max. digging depth	7.20	
d- Max. digging height	10.01	
e- Max. dumping clearance	7.11	
f- Min. dumping clearance	2.56	
g- Max. vertical wall digging depth	6.23	
h- Min. swing radius	4.43	
i- Horizontal digging stroke at ground level	5.58	
j- Digging depth for 8' (2.4 m) flat bottom	7.04	
Bucket capacity (ISO heaped)	1.2 m ³	



GENERAL DIMENSIONS

Unit: mm



Figures () show the value of SK300NLC.
*Without including height of shoe lug.

Note: This catalog may contain attachments and optional equipment that are not available in your area. And it may contain photographs of machines with specifications that differ from those of machines sold in your areas. Please consult your nearest KOBELCO distributor for those items you require.

Due to our policy of continuous product improvements all designs and specifications are subject to change without advance notice.

Copyright by **KOBELCO CONSTRUCTION MACHINERY CO., LTD.** No part of this catalog may be reproduced in any manner without notice.

Kobelco Construction Machinery Europe B.V.

Veluwezoom 15
1327 AE Almere
The Netherlands
www.kobelco-europe.com

KOBELCO is the corporate mark used by Kobe Steel on a variety of products and in the names of a number of Kobe Steel Group companies.

Inquiries To: